



TAMEO Kits



TMK 374

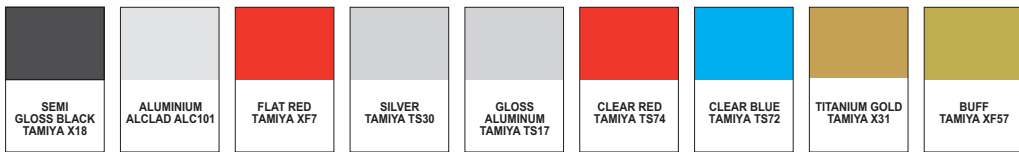
FERRARI F2007 BRAZILIAN G.P. 2007

www.tameokits.com

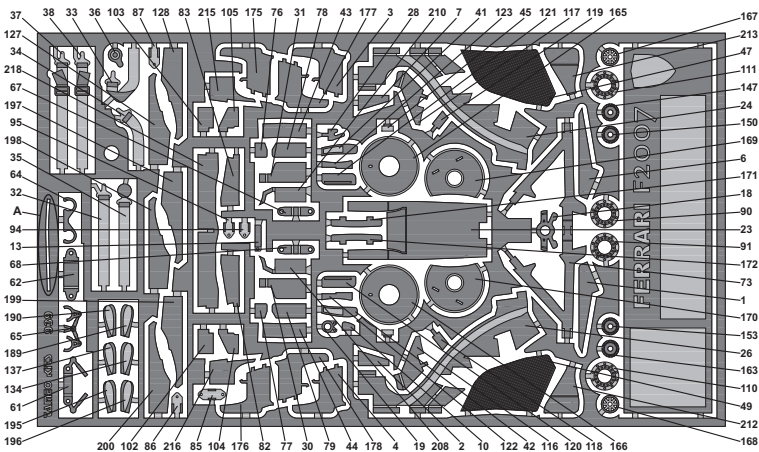
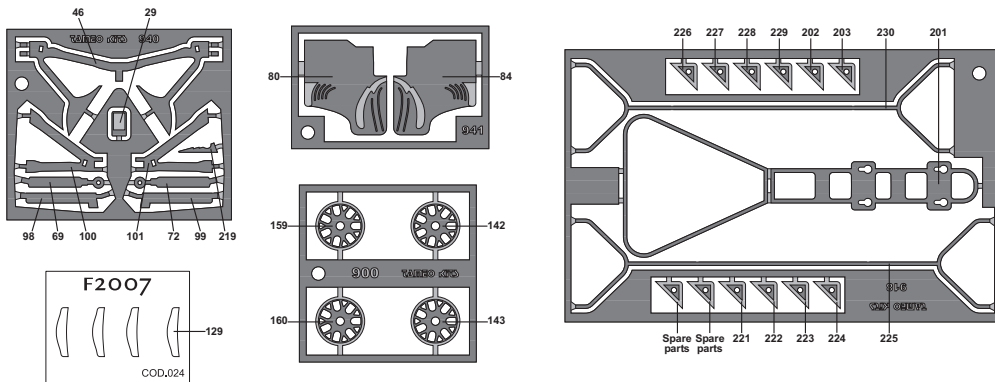
Per politica aziendale e in ottemperanza alla normativa applicabile, l'automodello contenuto nella confezione è privo di decalcomanie e adesivi riproductori loghi e marchi di proprietà di produttori del tabacco.
In compliance with company policy and applicable law provisions, the scale car model included in the packaging does not bear any decals and stickers reproducing logos and brands owned by tobacco producers.



COLOUR CONVERSION



FOTOINCISIONI - PHOTOETCHEDS



TAMEO KITS
scale racing car models

TAMEO KITS srl

Via Valle, 111 - P.O. Box 61
17022 BORGIO VEREZZI SV ITALY
Tel. 39 019 - 615.250
Fax. 39 019 - 615.310

website www.tameokits.com
e-mail sales@tameokits.com
e-mail technical@tameokits.com

Ferrari

OFFICIAL LICENSED PRODUCT

Produced under license of Ferrari Spa.
FERRARI, the PRANCING HORSE device, all associated logos and distinctive designs are trademarks of Ferrari Spa.
The body designs of the Ferrari cars are protected as Ferrari property under design, trademark and trade dress regulations

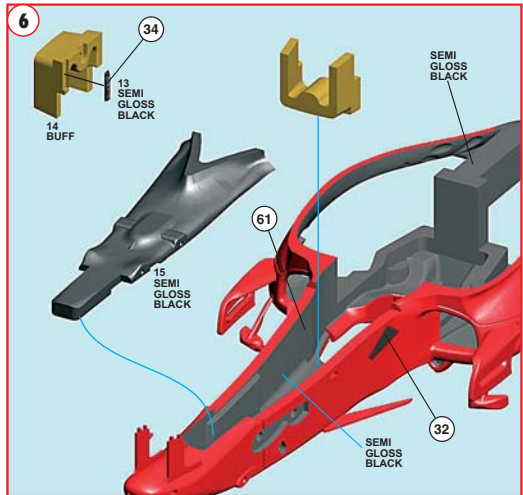
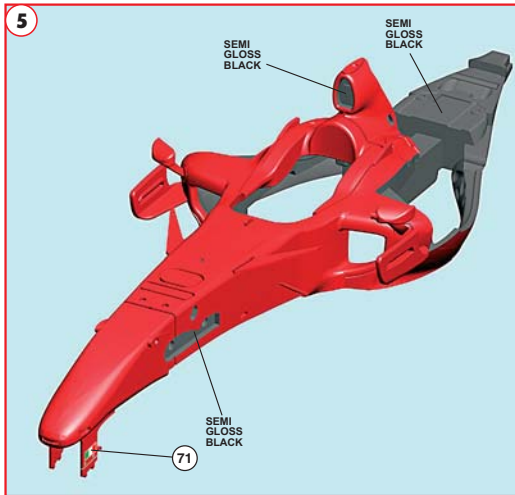
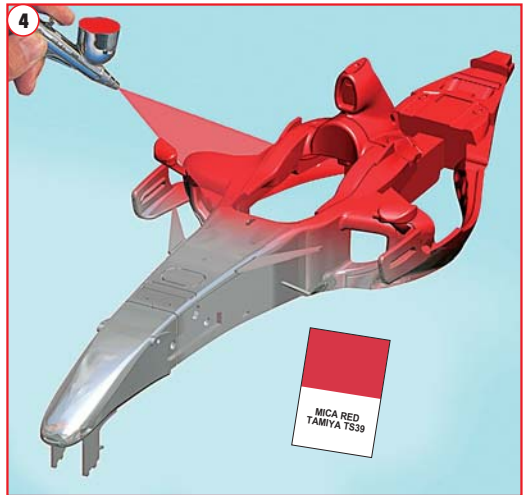
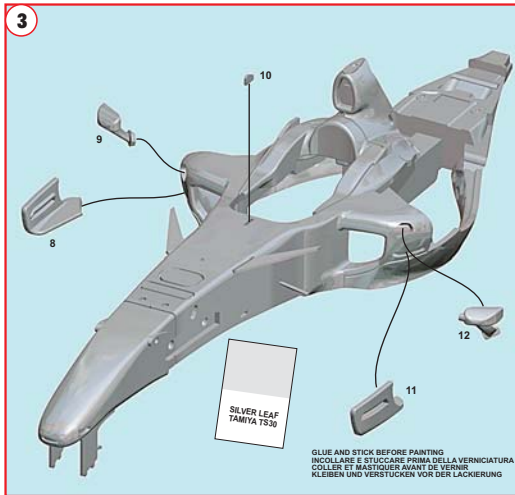
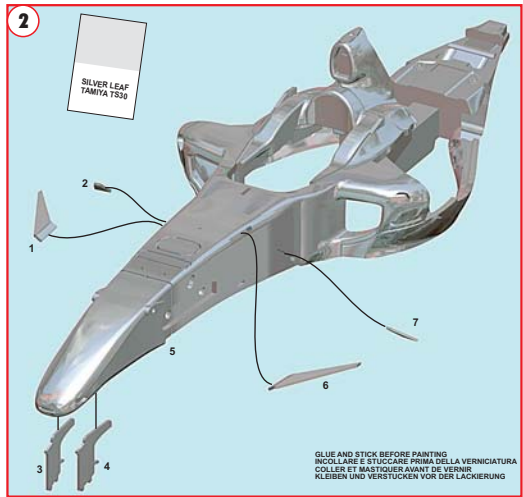
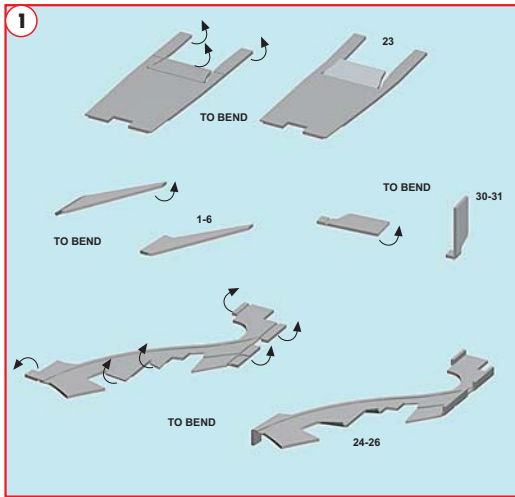
Made in Italy. Modello per collezionisti in scala 1/43. Vietata la vendita ai minori di 14 anni. Nocivo per ingestione. Conservare fuori dalla portata dei bambini. Tameo Kits declina ogni responsabilità per un uso improprio del prodotto.

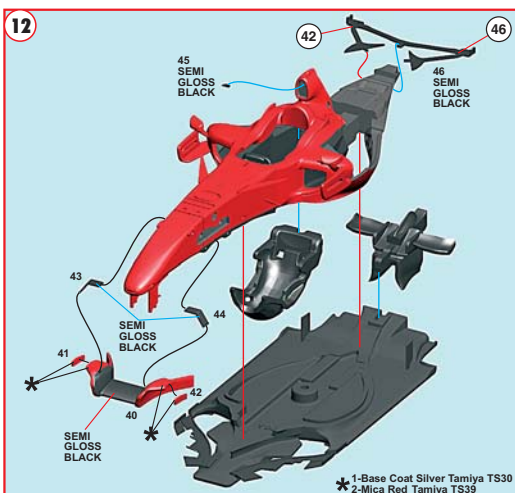
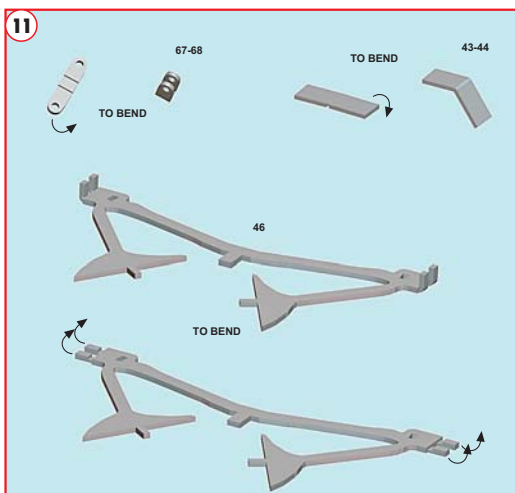
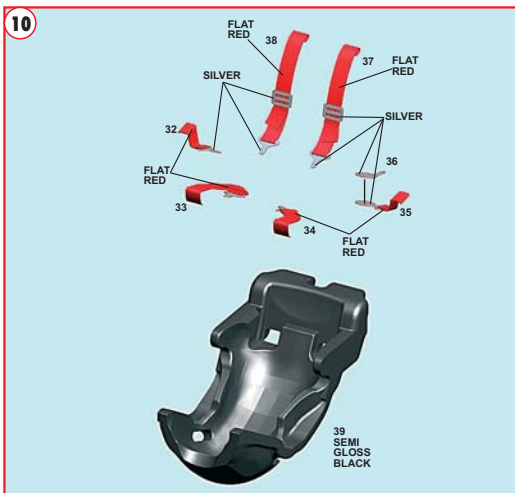
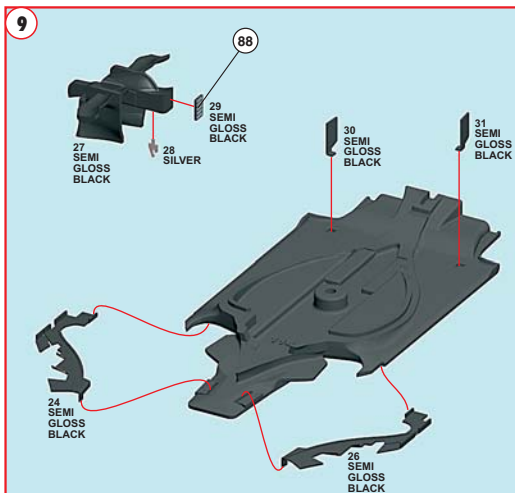
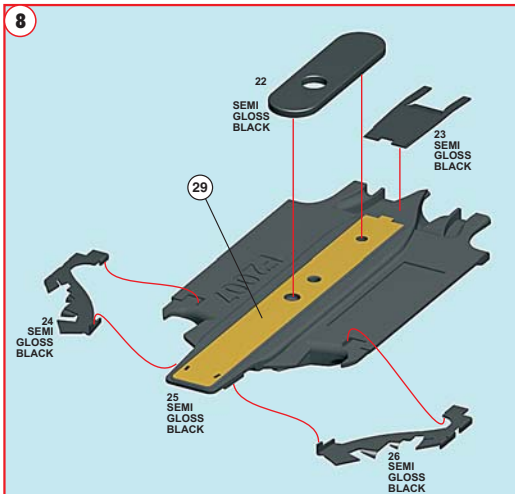
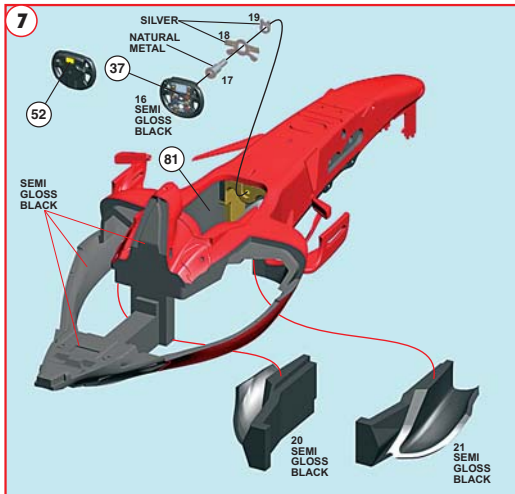
Made in Italy. Collector 1/43 Scale Models. Not for sale to persons under 14 years of age. Dangerous if swallowed. Keep out of reach of children. Tameo Kits not held responsible for any damage or injury resulting from improper use of the product.

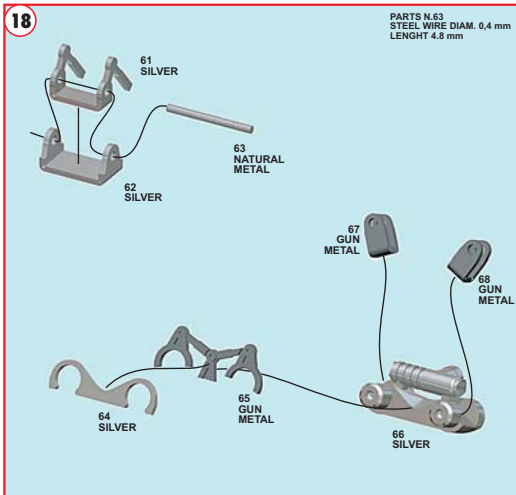
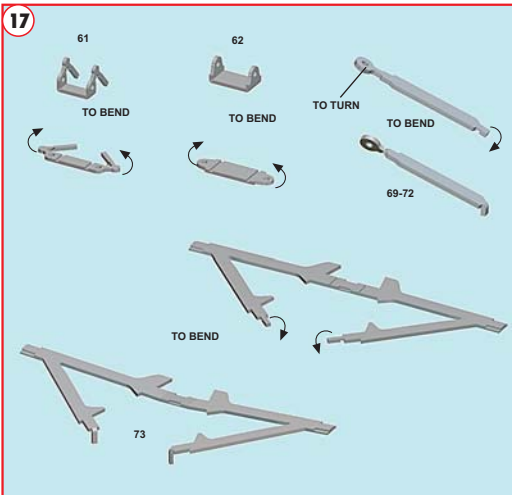
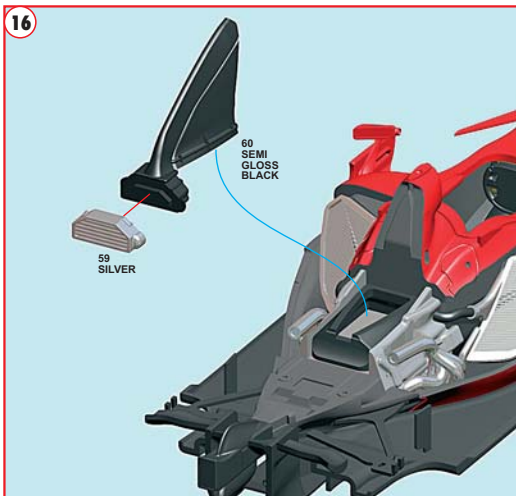
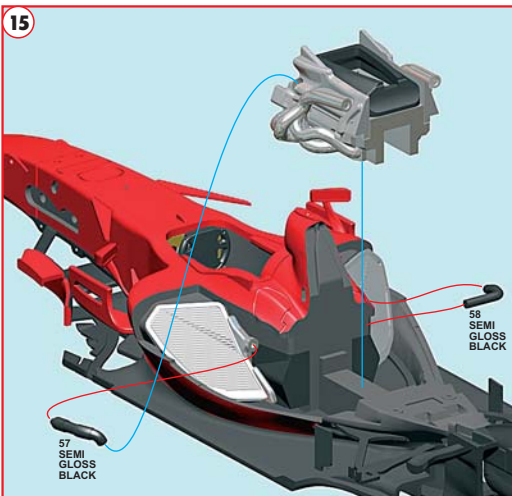
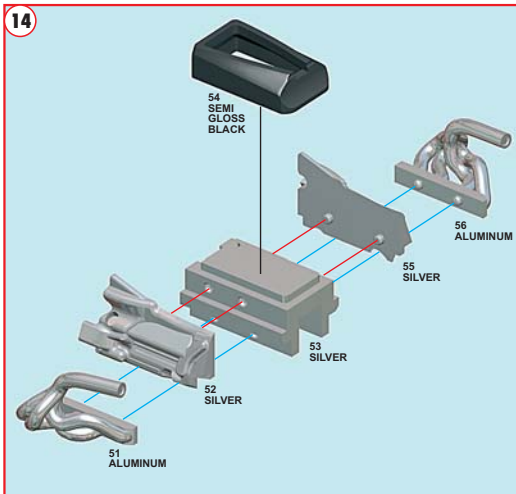
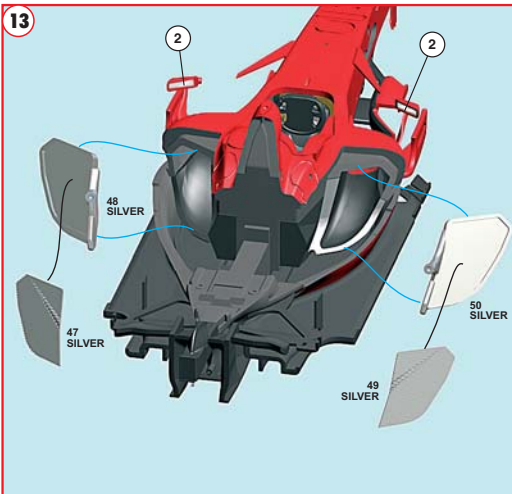
Made in Italy. Modèle pour collectionneurs échelle 1/43. Vente interdite aux enfants de moins de 14 ans. Dangereux si avalé. Conserver hors de la portée des enfants. Tameo Kits décline toute responsabilité dans le cas de dommages dérivants de l'usage non approprié du produit.

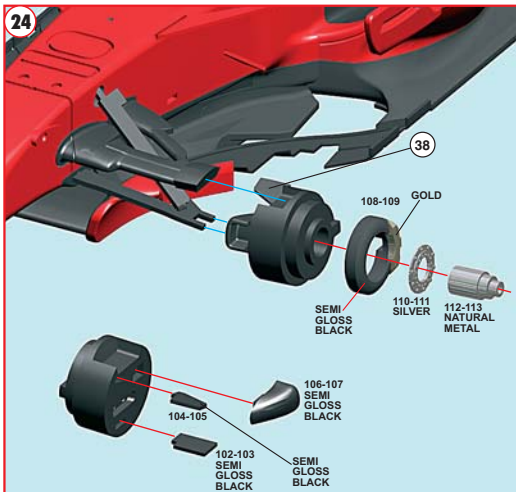
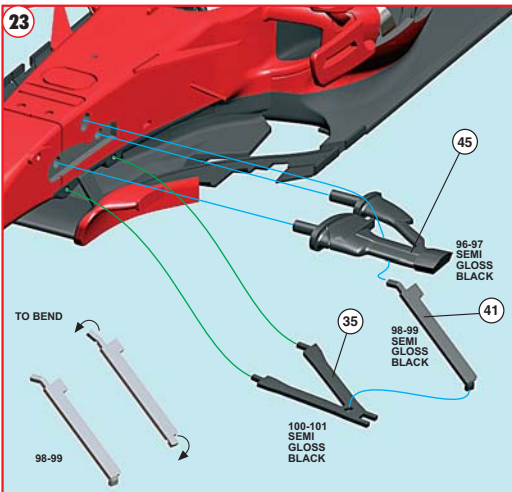
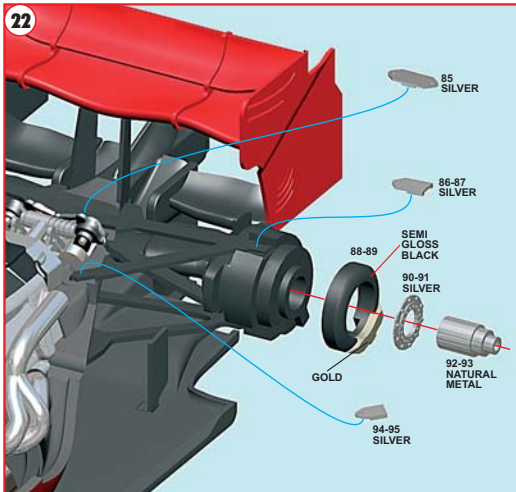
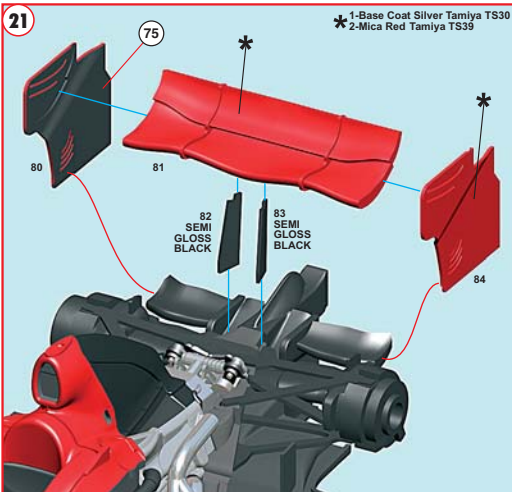
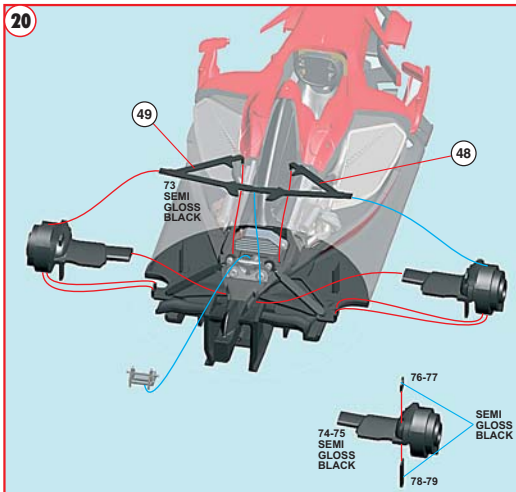
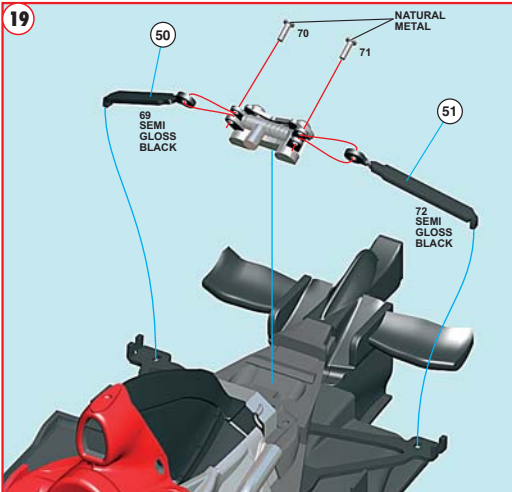
Made in Italy. Sammlermodell im Massstab 1/43. Verkauf an Jugendliche unter 14 Jahren verboten. Schädlich bei Verschlucken. Tameo Kits lehnt jede Verantwortung bei unsachgemässer Benutzung des Produktes ab.

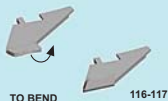
Hecho en Italia. Colección de modelos a escala 1/43. Prohibida la venta a menores de 14 años. No comestible. Mantener fuera del alcance de los niños. Tameo Kits no se hace responsable de los daños causados por el uso incorrecto de este producto.



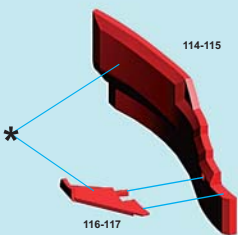






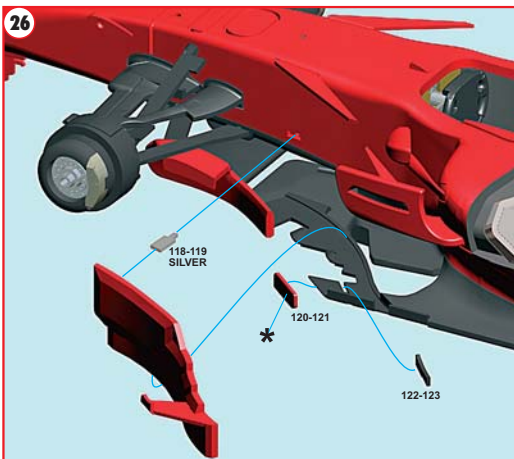
25

116-117

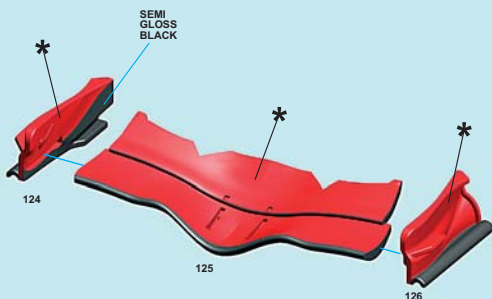


SEMI GLOSS BLACK

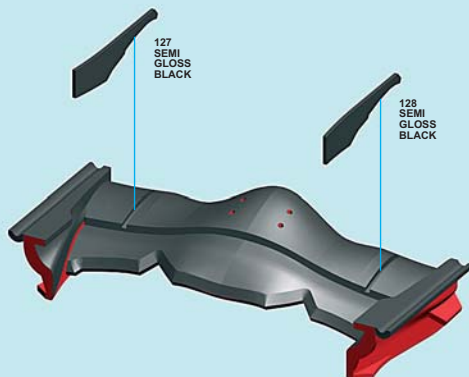
- * 1-Base Coat Silver Tamiya TS30
- * 2-Mica Red Tamiya TS39

26

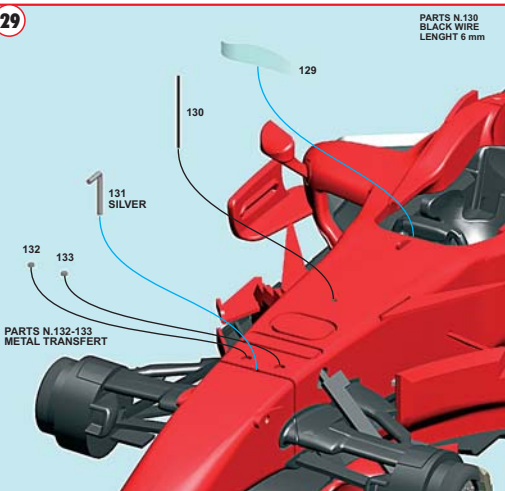
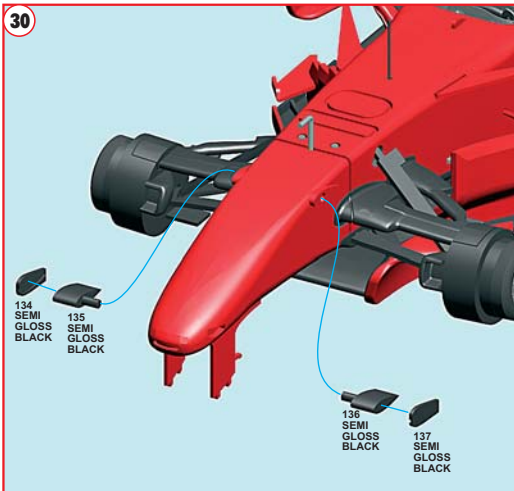
- * 1-Base Coat Silver Tamiya TS30
- * 2-Mica Red Tamiya TS39

27

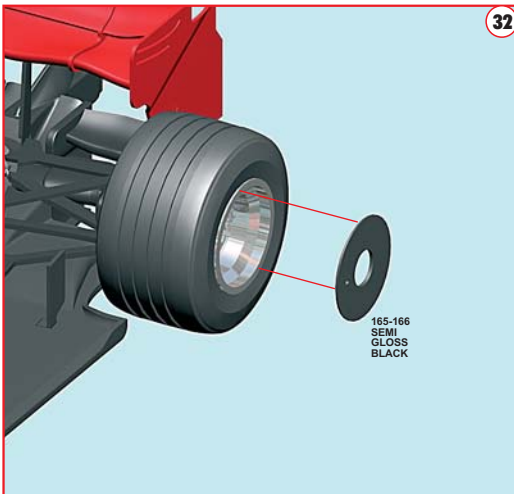
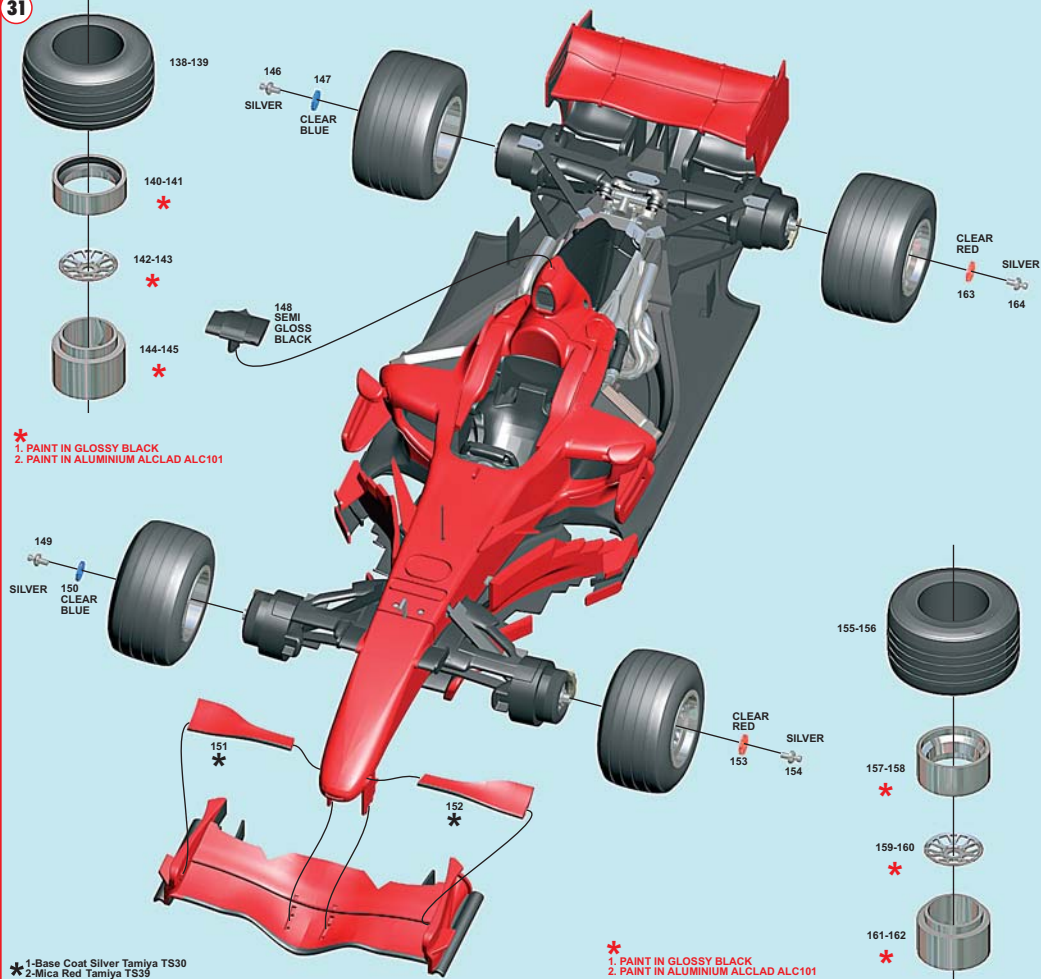
- * 1-Base Coat Silver Tamiya TS30
- * 2-Mica Red Tamiya TS39

28

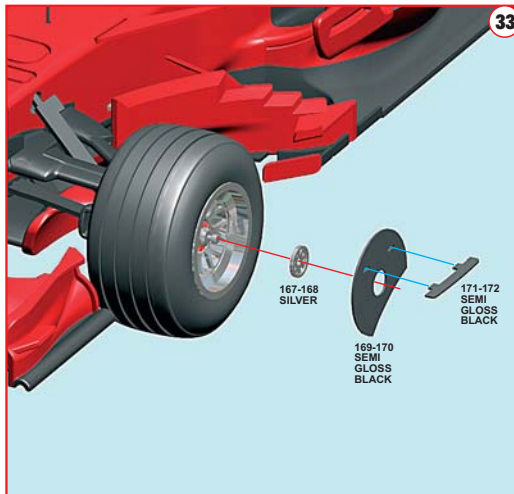
TO BEND PARTS N.127-128
PLEASE TO USE PROFILE "A"
ON PHOTOETCHED N.939

29**30**

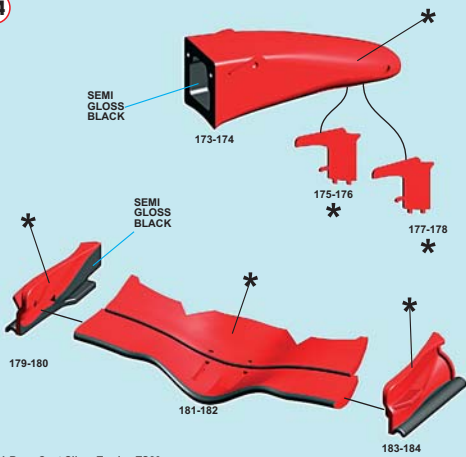
31



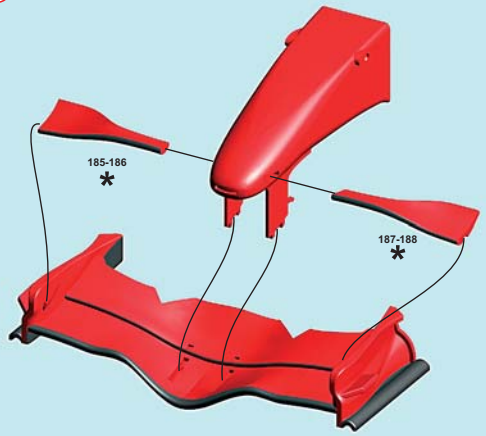
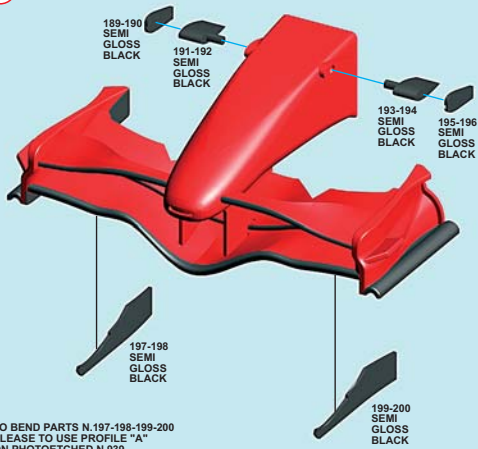
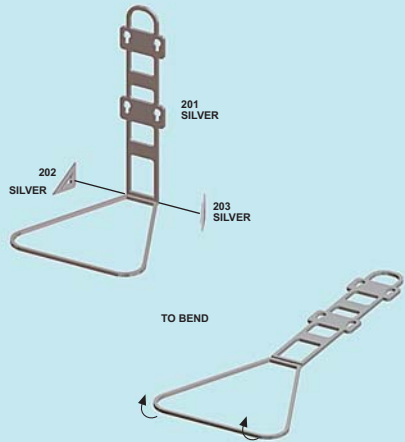
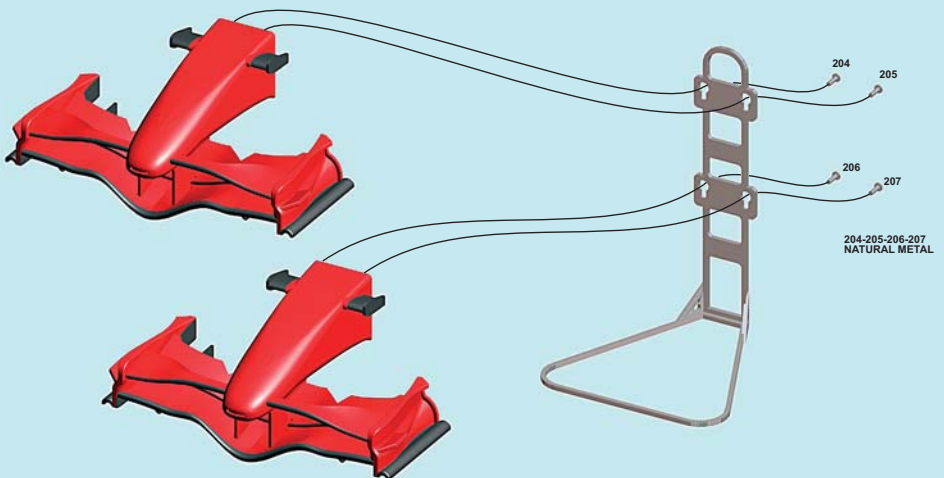
32



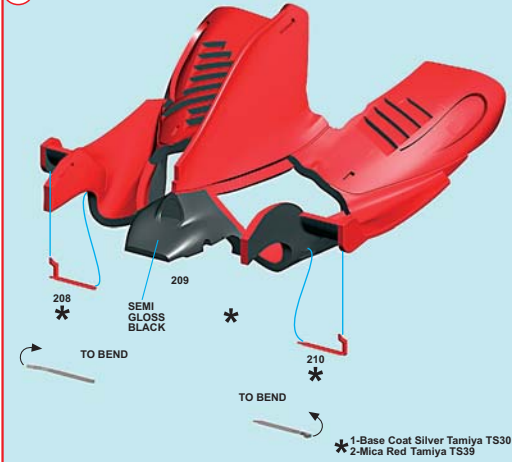
33

34

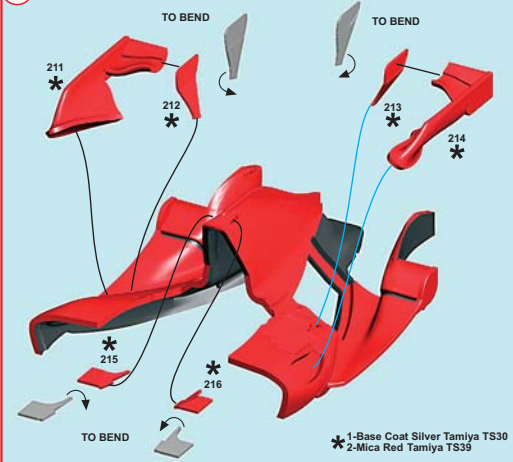
* 1-Base Coat Silver Tamiya TS30
 * 2-Mica Red Tamiya TS39

35**36****37****38**

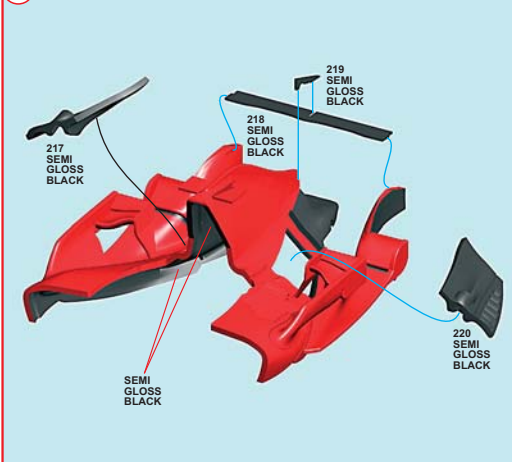
39



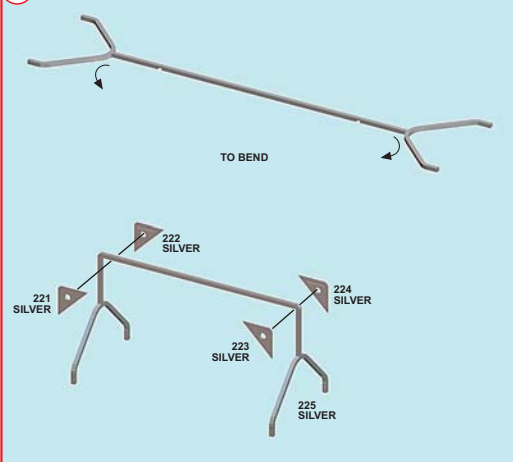
40



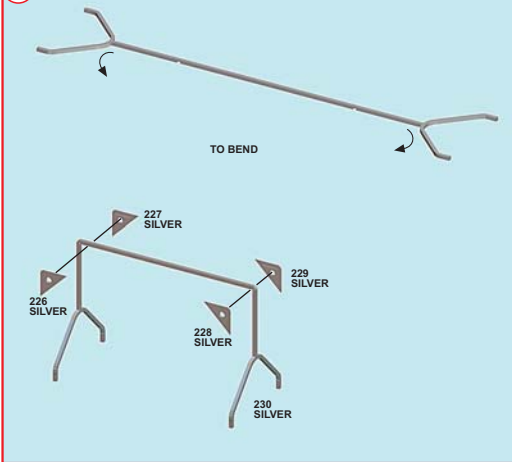
41



42

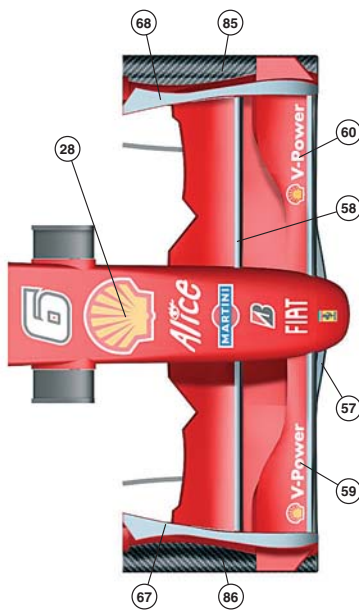
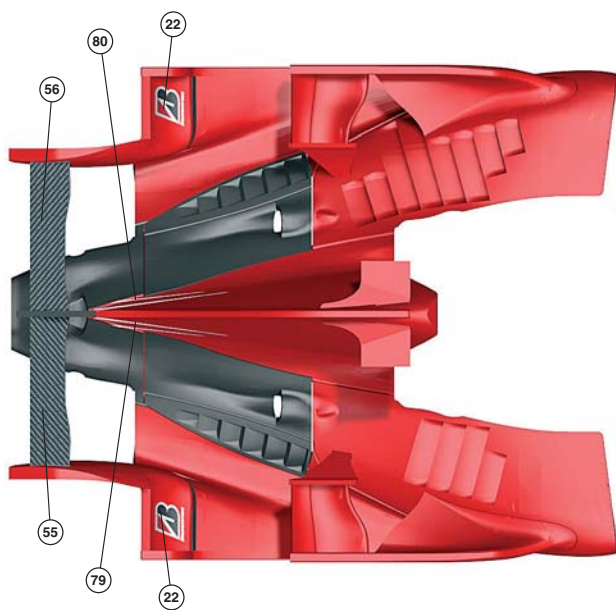


43

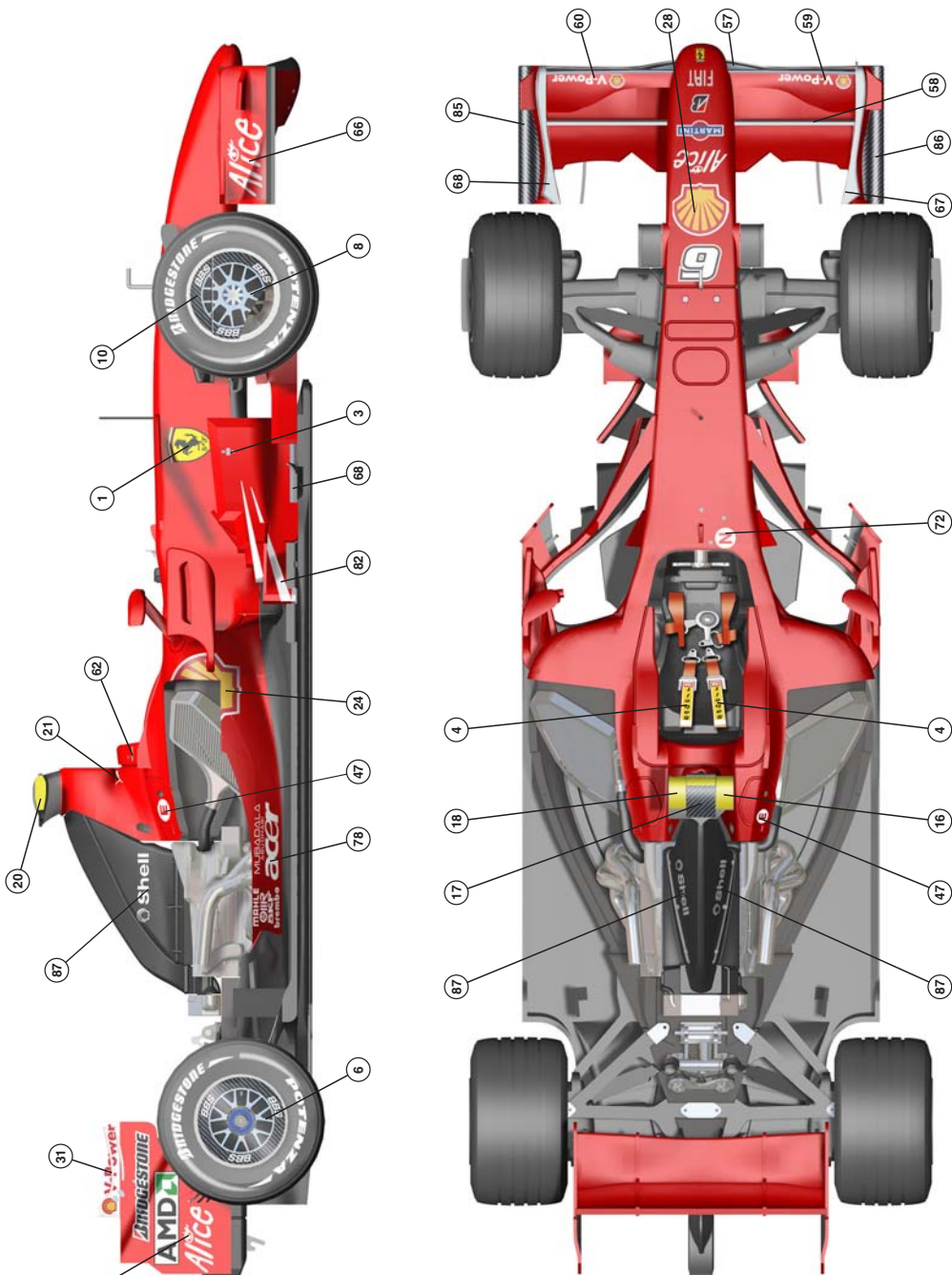




44





TMK 374 FERRARI F2007 BRAZILIAN G.P. 2007



-  5 - F. Massa 2nd
-  6 - K. Raikkonen 1st